

Rackmount LCD Console (4 Port)

User Manual



Printing date: 2022/03

Version: V2.0

Product Description

The KVM console integrates multiple ports KVM switches in a 1U height console. It can control multiple computers with a set of devices including monitor, keyboard and mouse, thus saves much cost and space to separately equip keyboard, mouse and monitor for every computer.

It is easy and fast to install the KVM console; you just need to connect corresponding cables to the right ports of KVM and its module without software configuration.

Product Features

- 17" LED TFT monitor, high brightness, high resolution;
- 1U height, suitable height for standard 19" rack mount, metal structure;
- Ultra slim 99 keys keyboard with small numeric keyboard;
- High resolution and high flexibility with touchpad; with two function buttons and scroll wheel.

Switch Functions

- A single USB&PS2 console controls up to 4 computers
- Multiplatform support--Window, Linux, Mac and Sun
- Supports multimedia USB keyboard (PC, Mac and Sun)
- USB or PS/2 keyboard emulation--computer boot even the console focus is else where
- Convenient computer switching via front panel pushbuttons and hotkeys
- Auto scan feature for monitoring user-selected computers
- Hot pluggable --add or remove computers without having to power down the switch

Product Overview

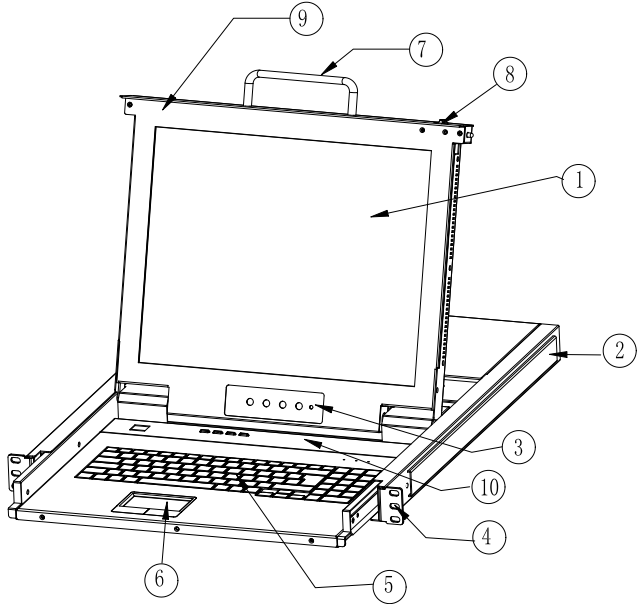


Figure 1-1 front view

- 1. LCD monitor
- 2. Rear bracket
- 3. OSD controls
- 4. Front bracket
- 5. Keyboard
- 6. Touchpad
- 7. Handle
- 8. Release lock
- 9. Display panel
- 10. Switching LEDs

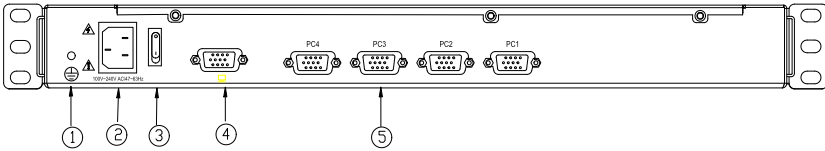


Figure 1-2

- 1. Ground connection screw
- 2. Power input (AC or DC)
- 3. Power switch
- 4. Console Port
- 5. PC connection port: 4 ports

Installation

1. Make sure the KVM has been connected to the ground (① in the diagram)
2. Connect the KVM with the computer according to ② in the diagram
3. Connect power cable to KVM port as shown in ③ in the diagram
4. Turn on the power, the KVM start to work after power supply (④ in the diagram)
5. Connect to the external monitor according to ⑤ in the diagram

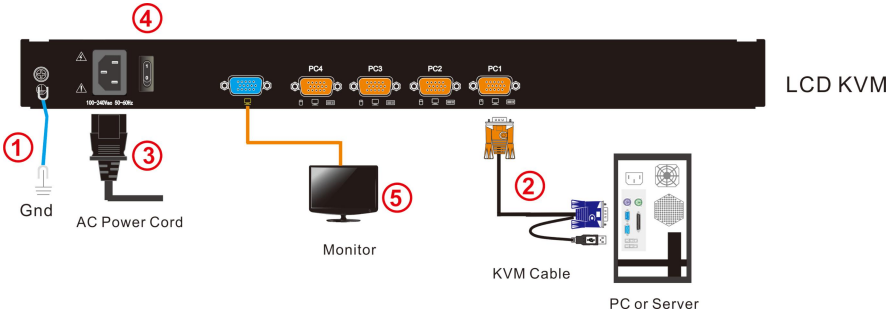


Figure 1-3

To ensure signal integrity and simplify cable layout, we strongly recommend you using high quality cables with different length as shown in above table.

Start to Use

- 1) Release the lock.

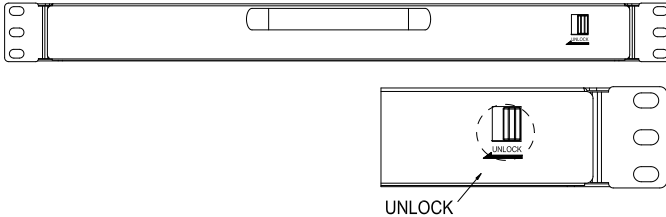


Figure 2-1 unlock the KVM

Note: The release lock can only do horizontal locking, it can't bear any load.

- 2) Pull the LCD panel all the way out until it clicks into place.

3) Rotate the LED module all the way back to expose the LED screen, the LED module can be rotated up to 108°.

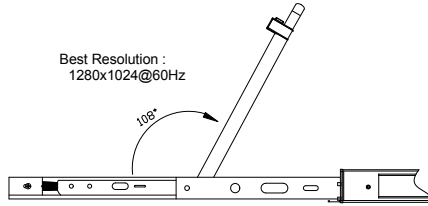


Figure 2-2 rotate angle of the console

- 4) Power on the KVM, the power LED will turn to green after power on
- 5) Power on computer or server after power on KVM and you will see green light at each port.

Pushbutton Operation Instructions



Figure 3-1 front view of the pushbuttons

No.	Parts	Functions
1	1-4	Switch freely from port 1 to port 4
2	Port Selection Buttons& LEDs	Indicator LEDs are built into the switches, the online LED light is on the left and the selected LED light is on the right. 1) An online LED light (green) indicates that the KVM has connected to its corresponding computer and power on. 2) A selected LED light (orange) indicates that the computer attached to its corresponding port is up and running.
3	Port ID	It shows the current selected port

Table 1 pushbuttons operation instruction

LED OSD Configuration



The LED OSD allows you to set up and configure the LED display.

Buttons	Functions
MENU SELECT	Press this button invokes the menu function and brings up the main menu.
EXIT/AUTO	Press this button exits the current menu and returns to the previous menu or presses this button exits the LED OSD. Press AUTO for automatic configuration.
SL-/SL+	Press this button moves your menu to make corresponding adjustment.
LED state	Green: running Red: power off or access nonstandard VESA signal Flash green: energy saving mode or no signal

Table 2 LED OSD configuration instructions

Press AUTO if the screen migrates after power on or under other circumstances, then the screen auto configure to its best display state.(It might can't be adjusted to its best state if part of the display mode is not standard VESA mode, if so return back to OSD menu to RESET, then it will back to normal.

We suggest our customers to set up the display mode at 1280x1024, refresh rate at 60Hz.

Hot Key Operations

Press **【L_Ctrl】** key twice, you can use the hot keys after hearing a warning sound.

Keyboard mode:

The keyboard will exit the hot key mode if no operation in 2 seconds.

See below hot keys operation instructions:

Press **【L_Ctrl】** key twice + function buttons

Function	Operation	Descriptions
Switching port	+ 1~4	Switch from 1~4 E.g.: Press 【L_Ctrl】 twice + 2 to select the port 2 in the current level
	+ ↑/↓	Skip to previous/next port
Auto scan	+ S	1. Auto Scan automatically scan ports that attached PC or server. Users can set the scan duration in OSD menu and press any key to exit scanning mode. 2. Move the mouse to extend scan interval.

Table 3 hot key operation instructions

Note:

Only the large numbers keys on the keyboard are available when you select the port while hot keys, the small numeric keyboard are unavailable.

Specifications

Function		Model No	4 Port
Computer connections	Direct		4
	Max		4
Port emulation	Keyboard, mouse		PS/2, USB
LED monitor	LED model		SXGA TFT
	View area		17 "
	Optimum resolution		1280×1024@60Hz
	Display color		16.7 M
	Brightness		250cd/m ² (T y p)
	Contrast ratio		1000 : 1 (T y p)
	Pixel pitch(mm)		0.264(H) × 0.264(W)
Mouse	X/Y resolution		>1000 points /inch, (40 points/mm)
	Roll wheel		Supports scroll wheel function
Keyboard			99 keys (82 keys main keyboard +17 independent small numeric keyboard)
Port selection			Pushbuttons, hot keys
Input power			100V- 240Vac, 50-60Hz, <1.5A
Power consumption			15W
Mounting distance			450- 790mm (L=420mm)
Operating temperature			0—50 °C
Store temperature			-20—60 °C
Humidity			0—80% RH, non-condensing
Net weight			11.8kg
Product dimension (W × D × H)			448mm×481mm×42.5mm
Package dimension (W × D × H)			765mm×615mm×185mm